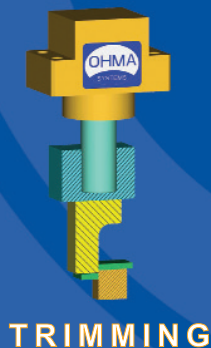
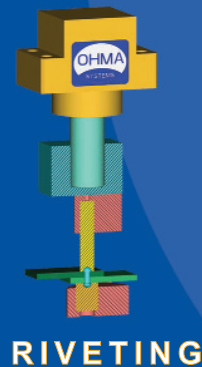
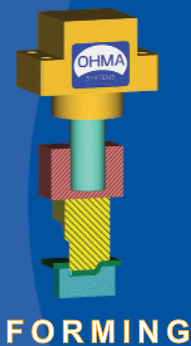
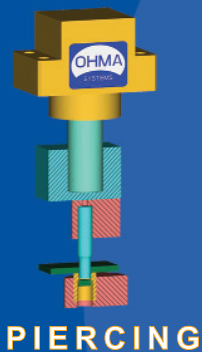


# THE OHMA<sup>®</sup> PRESS FAMILY

is...

- A collection of **4, 8, 15, 32 and 70 ton** presses ready to accept your tooling.
- Designed to satisfy production needs, prototype work, or serve as an all-purpose press.
- Totally flexible, offering **soft touch, non-shock approach** to your part and a 1/2" high force work stroke to perform your most demanding applications.
- Completely adjustable; low pressure advance stroke, **high pressure power stroke and overall cycle time are set by you.**



## Applications Include:

- Piercing - steel, aluminum, brass, copper, plastics, acrylics
- Pierce Nut Installation
- Coining
- Assembly
- Stamping
- Bending
- Marking
- Forming
- Riveting
- Crimping
- Clamping
- Trimming
- Tube Flaring
- Staking

# centerline

(WINDSOR) LIMITED

The OHMA cylinder is a patented product. OHMA is a registered trademark of DOBEN LTD.

CenterLine reserves the right to change specifications.

# THE OHMA PRESS FAMILY

The OHMA presses are manufactured using innovative product design and attention to manufacturing detail.

## STANDARD FEATURES

- Patented OHMA Piercing Cylinder
- Patented "C" style frame construction and floor stand
- Anti-tie down electrical control package
- Separate force adjustment for advance and work strokes
- Separate time adjustment for advance and work strokes

## ADVANTAGES

**POWER** - Each OHMA press operates with a low impact advance stroke to the part followed by a high force work stroke. A simple adjustment to air pressure alters the amount of work force produced.

**ADJUSTABLE** - The OHMA press automatically compensates for variable part height. Its two stage method of operation first strokes to the work until making contact and then produces the high force work stroke to complete the operating sequence. Adjustment of electrical timers puts you in control of cycle time.

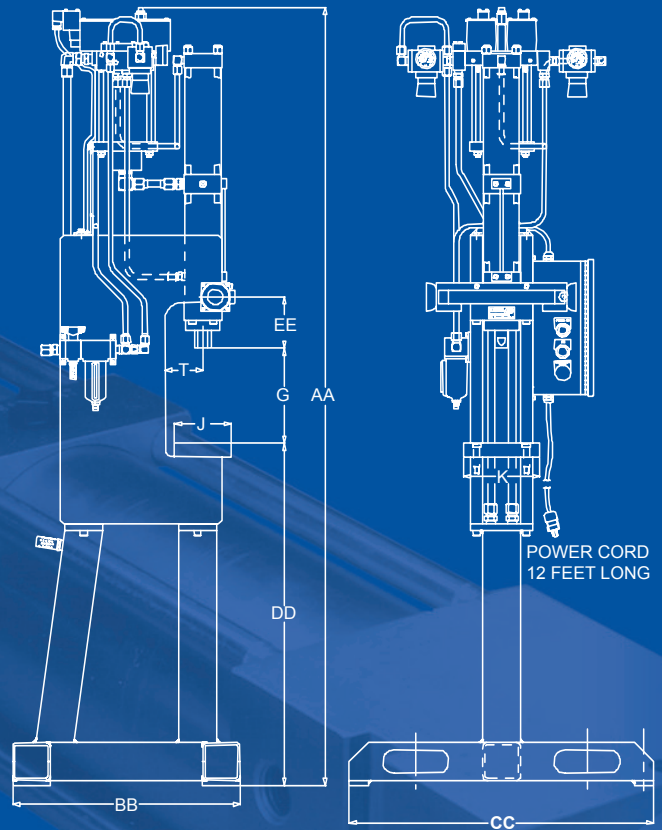
**ENVIRONMENTAL CONSIDERATIONS** - Noise and exhaust are drastically reduced to provide the most comfortable working conditions for the operator.

**COST SAVINGS** - The OHMA presses are inexpensive to purchase, operate and maintain.

**CONVENIENCE** - The only additional requirements are tooling, 110 volt electrical supply and one air line.

**SPEED** - For short stroke applications, the OHMA press can cycle as fast as 60 strokes per minute.

**VERSATILITY** - Because of its ability to produce a wide range of work forces, a simple tool change allows the OHMA Press to perform a variety of applications.



Dim. (in.)	Description	Model P400 4 Ton	Model P800 8 Ton	Model P1500 15 Ton	Model 3200 32 Ton	Model P7000 70 Ton
AA	Overall Height	83	82	86	92	109
BB	Base Depth	20	24	28	36	40
CC	Base Width	32	32	32	44	44
DD	Platen Height	36	36	36	36	36
G	Throat Height	10	10	12	12	18
EE	Palm Button Position	5-1/4	5-3/8	6-3/8	8-3/4	7-3/4
T	Throat Depth	4	4	5	7	8
J	Platen Depth	4	6	8	12	15
K	Platen Width	7	8	10	14	20
<b>Press Characteristics</b>		<b>P400 4 Ton</b>	<b>P800 8 Ton</b>	<b>P1500 15 Ton</b>	<b>P3200 32 Ton</b>	<b>P7000 70 Ton</b>
<b>Advance Force Range (lbs)</b>		110-540	165-830	250-1255	565-2830	1005-5025
<b>Work Force Range (tons)</b>		0.79-3.95	1.5-7.8	3.0-15.0	6.5-32.6	14.3-71.5
<b>Return Force @ 100 psi (lbs)</b>		360	590	940	2120	3770
<b>Maximum Total Stroke (in)</b>		6	6	6	6	8
<b>Maximum Work Stroke (in)</b>		0.5	0.5	0.5	0.5	0.5
<b>Approximate Weight (lbs)</b>		420	640	920	1960	4500
<b>Air Consumption (scf/cycle)</b>		0.4 to 0.7	0.8 to 1.4	1.3 to 2.2	2.8 to 4.7	6.2 to 10.2

### CenterLine (Windsor) Limited

655 Morton Drive, Windsor, Ont. N9J 3T9  
P.O. Box 321187, Detroit, MI 48232-1187

Canada (519) 734-8330, USA (313) 961-3731  
Toll Free (800) 268-8330, Fax (519) 734-2006

website: [www.cntrline.com](http://www.cntrline.com), e-mail: [info@cntrline.com](mailto:info@cntrline.com)

### Local Distributor