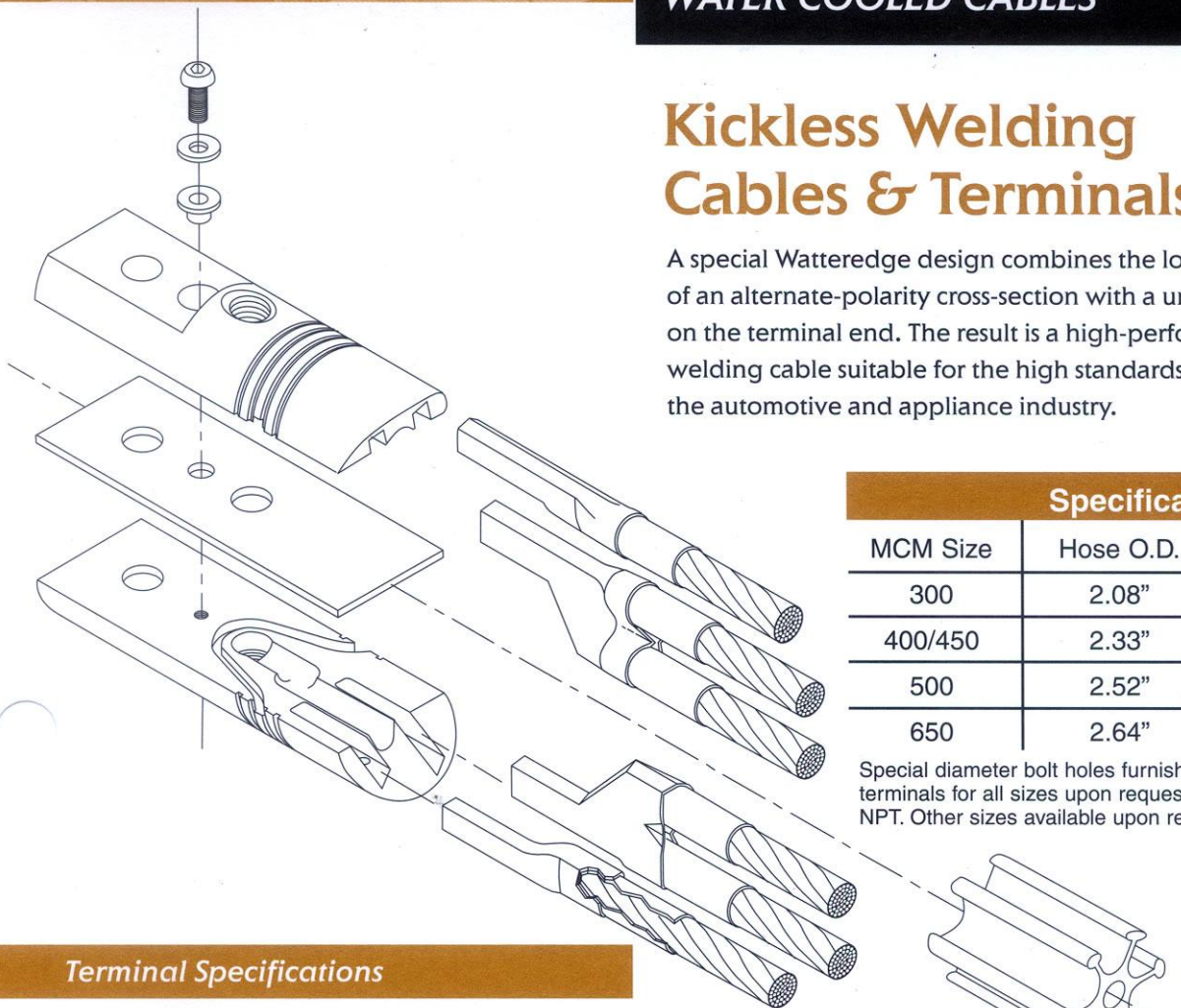


WATER COOLED CABLES

**Kickless Welding
Cables & Terminals**

A special Watteredge design combines the low-reactance feature of an alternate-polarity cross-section with a unique connection on the terminal end. The result is a high-performance, long-life welding cable suitable for the high standards and demands of the automotive and appliance industry.



Specifications

MCM Size	Hose O.D.	Terminal O.D.
300	2.08"	1 ⁹ / ₁₆ "
400/450	2.33"	1 ¹³ / ₁₆ "
500	2.52"	1 ³¹ / ₃₂ "
650	2.64"	1 ³¹ / ₃₂ "

Special diameter bolt holes furnished upon request. Special terminals for all sizes upon request. Water inlet standard is 1/4" NPT. Other sizes available upon request.

Terminal Specifications

